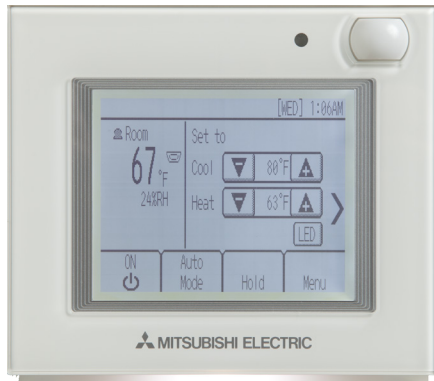


Job Name:

Schedule Reference:

Date:



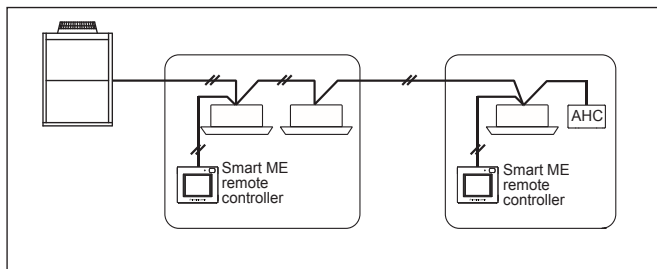
### SMART ME REMOTE CONTROLLER (PAR-U01MEDU-J) SPECIFICATIONS

- Backlit touch screen wall-mounted remote controller
- Controls group operation:
  - Up to 16 indoor units in a single group
  - One Advanced HVAC Controller (DC-A2IO)
- Displays:
  - Temperature (° F and ° C)
  - Relative Humidity
  - Occupancy (customizable)
  - Operation status
  - Four-digit error code and error unit address (customizable)
- User defined indoor unit functions:
  - On/Off
  - Monitoring and Operation
  - Operation mode:
    - Auto\* (Dual or Single set point)
    - Cool
    - Heat
    - Fan
    - Drying
    - Setback\*

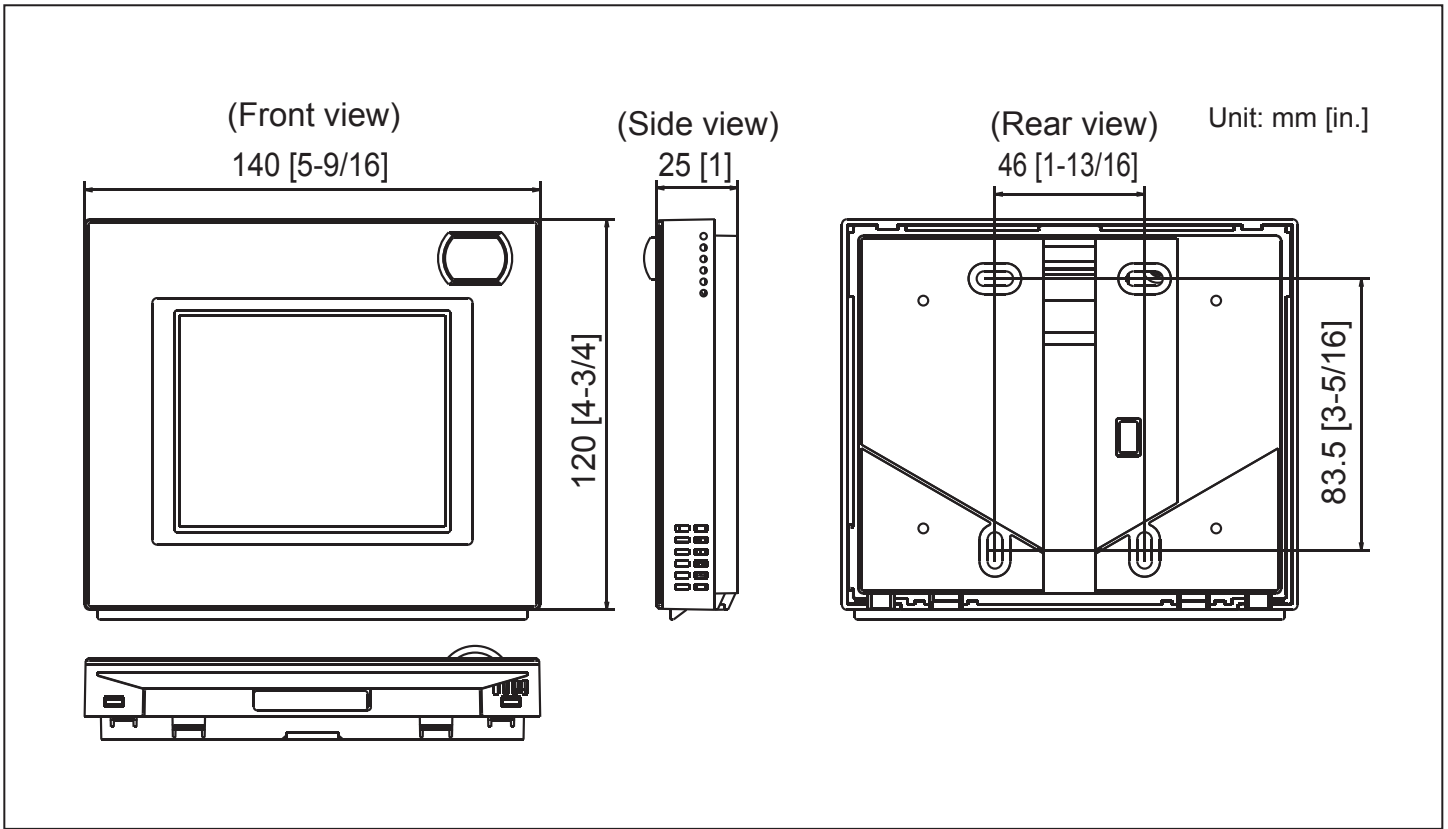
Note: \*R2 Series only (connected equipment dependent)

- Set temperature
- Fan speed setting
- Airflow direction
- Louver setting
- Set temperature range: 40° F - 95° F (operation mode and connected indoor unit dependent)
- HOLD feature enables/disables the timers and auto return function
- Permits or prohibits remote controller functions:
  - On/Off
  - Temperature Setting
  - Mode
  - Fan Speed
  - Vane Direction
  - Filter Sign Reset
- Room temperature can be sensed either at the indoor unit (default) or at the remote controller
- Set temperature range limit: allowable set temperature range can be reduced for each operation mode
- Adjustable setback override timer (2-hour default)
- Interlocked systems can set high/low/stop on LOSSNAY® units
- Grouping:
  - A maximum of two PAR-U01MEDU Smart ME Remote Controllers can control a single group of indoor units
  - Other types of remote controllers cannot be paired
- Addressing: M-Net Address using rotary dials
- Wiring:
  - Two-wire
  - Stranded
  - Non-polar control wire
- Dimensions: 5-9/16 x 4-3/4 x 1 in. (140 x 120 x 25 mm)

#### ■ System example



# Model: PAR-U01MEDU-J - Dimensions



Notes: