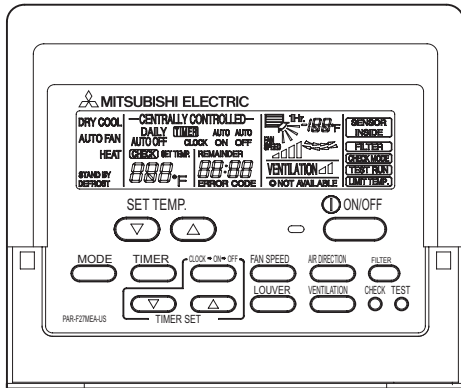


Job Name: _____ Location: _____

Drawing Reference: _____ Schedule No. _____

System No.: _____ Date: _____

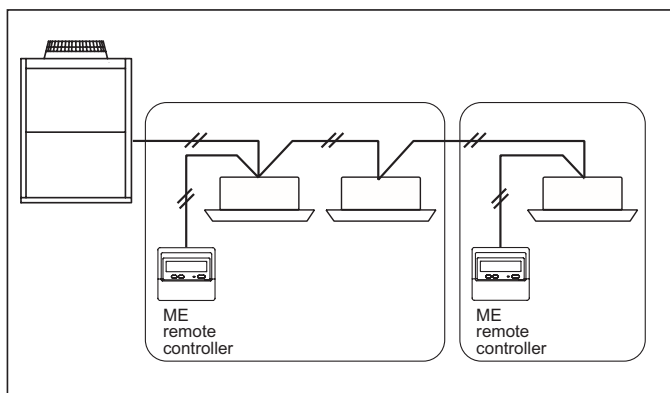


PAR-F27MEA ME REMOTE CONTROLLER SPECIFICATIONS

- Controls group operation for up to 16 indoor units in a single group.
- Supports only Fahrenheit
- User Functions: Allows user to set
 - On/Off
 - Cool, Heat, Dry, Fan, or Auto (R2-Series only) Operation Modes
 - Set temperature
 - Fan Speed setting
 - Airflow direction
- Range of set temperature depends on the indoor unit.
 - If R410A PDFY-E / PEFY-E / PFFY-E, then:
 - Cool/Dry: 57°F - 87°F
 - Heat: 63°F - 83°F
 - Auto: 63°F - 83°F
 - All other R410A indoor units:
 - Cool/Dry: 67°F - 87°F
 - Heat: 63°F - 83°F
 - Auto: 67°F - 83°F
- Timer Operation:
 - Repeated Daily Timer: Daily Timer can be repeated everyday
 - Daily Timer: On and Off time can be set once for one day.
 - Auto-off Timer: Turns indoor unit Off based on countdown time up to 4 hours in 30-minute increments.
- Room Temperature: Displays room temperature sensed either at the indoor unit (default) or at the remote controller
- Set Temperature Range Limit: From the ME, the allowable set temperature range can be reduced for Cool and Heat modes. Also supported via AG-150/GB-50A/TC-24 Web Browser and TG-2000.
- Function Lock Out: Prohibits all functions or all functions except On/Off from the ME Remote Controller.
- Diagnostics: Displays four-digit error code and error unit address.
- Grouping: Can only be used in same group with other PAR-F27MEA ME Remote Controllers, with up to two remote controllers per group.
- Addressing: Requires manual addressing using rotary dial switch to the M-NET communication bus.
- Wiring: Connects using two-wire, stranded, non-polar control wire to TB5 connection terminal on the indoor unit.
- Dimensions: 5-1/8 W x 3/4 D x 4-3/4" H (130 x 19 x 120 mm).

OVERVIEW OF CITY MULTI® CONTROLS NETWORK (CMCN)

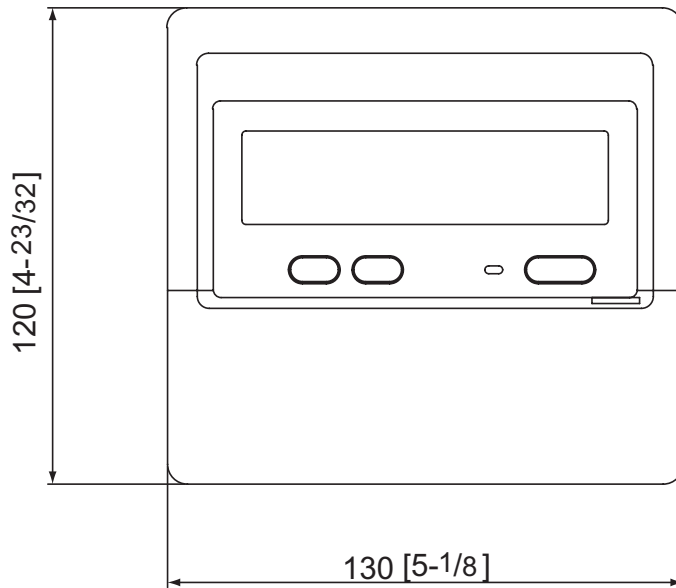
- Consists of TG-2000 integrated system software, AG-150/GB-50ADA/GB-24/TC-24 centralized controllers, web browsers, timers, remote controllers, and BMS interfaces.
- TG-2000 integrated system software supports up to 40 AG-150/GB-50ADA centralized controllers (licensed for PC software features) for a maximum of 2,000 indoor units from a single PC.
- AG-150 centralized controller operates up to 50 indoor units with optional control via a field-supplied PC with licensed software.
- GB-50ADA centralized controller operates up to 50 indoor units via a field-supplied PC with licensed software.
- GB-24 central controller operates up to 24 indoor units via a field-supplied PC with licensed software.
- TC-24 standalone centralized controller operates up to 24 indoor units via an integral touch screen interface.
- Remote controllers consist of Deluxe MA, Simple MA Wireless MA, and ME.
- I/O controllers consist of DIDO (PAC-YG66DCA) and AI (PAC-YG63MCA) for third-party equipment control.
- LonWorks® and BACnet® interfaces also available.
- Interlocking of LOSSNAY® ERV units for control via the AG-150/GB-50ADA/GB-24/TC-24 centralized controllers.



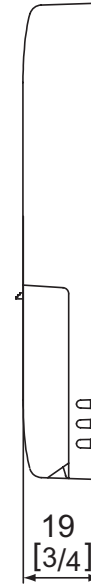
Model: PAR-F27MEA

Unit:mm[in.]

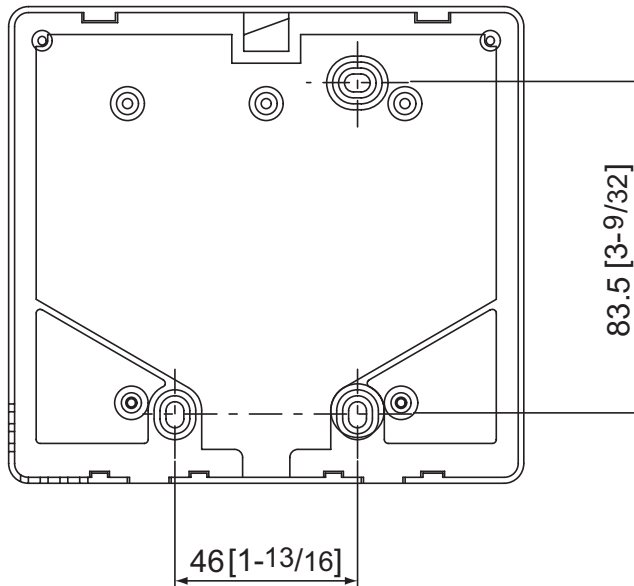
(Front view)



(Side view)



(Rear view)



Certificate Number FM33568

Mitsubishi Electric Air Conditioning & Refrigeration Systems Works acquired ISO 9001 certification under Series 9000 of the International Standard Organization (ISO) based on a review of quality warranties for the production of refrigeration and air conditioning equipment.

ISO Authorization System
The ISO 9000 series is a plant authorization system relating to quality warranties as stipulated by the ISO. ISO 9001 certifies quality warranties based on the "design, development, production, installation and auxiliary services" for products built at an authorized plant.



Mitsubishi Electric Air Conditioning & Refrigeration Systems Works acquired environmental management system standard ISO 14001 certification.

The ISO 14000 series is a set of standards applying to environmental protection set by the International Standard Organization (ISO).

Certificate Number EC97J1227



HVAC Advanced Products Division

Mitsubishi Electric & Electronics USA, Inc.

3400 Lawrenceville Suwanee Rd.

Suwanee, GA 30024

Tele: 678-376-2900 • Fax: 800-889-9904

Toll Free: 800-433-4822 (#4)

www.mehvac.com

Specifications are subject to change without notice.