

1 Before installation

※Turn off the main power before work.

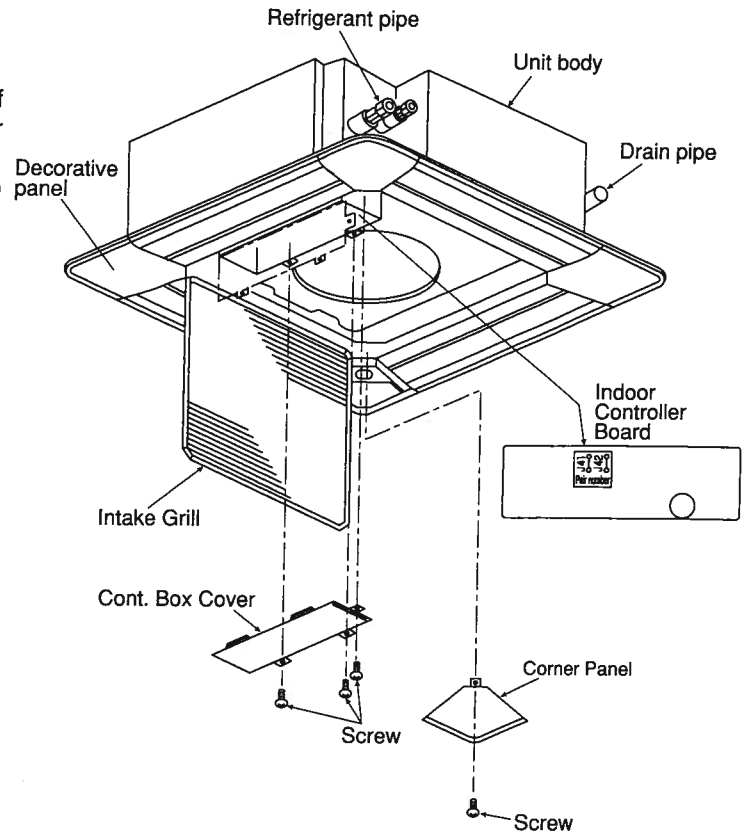
- Open the intake grill and remove the corner panel where refrigerant pipes are and where local wires are drawn into.
 - ※The corner panel removed is not needed.
 - ※When attaching the duct flange during installation of decoration panel, perform the following work only after connecting the wires to the decoration panel:
- The control box cover fixed by 3 screws, which is possible to hang temporarily.
- Perform setting to designate the unit to be operated by the wireless remote control.

Set J41 and J42 (jumper wires) on the indoor controller board and pair number switch of the wireless remote control as follows:

■Setting pair number

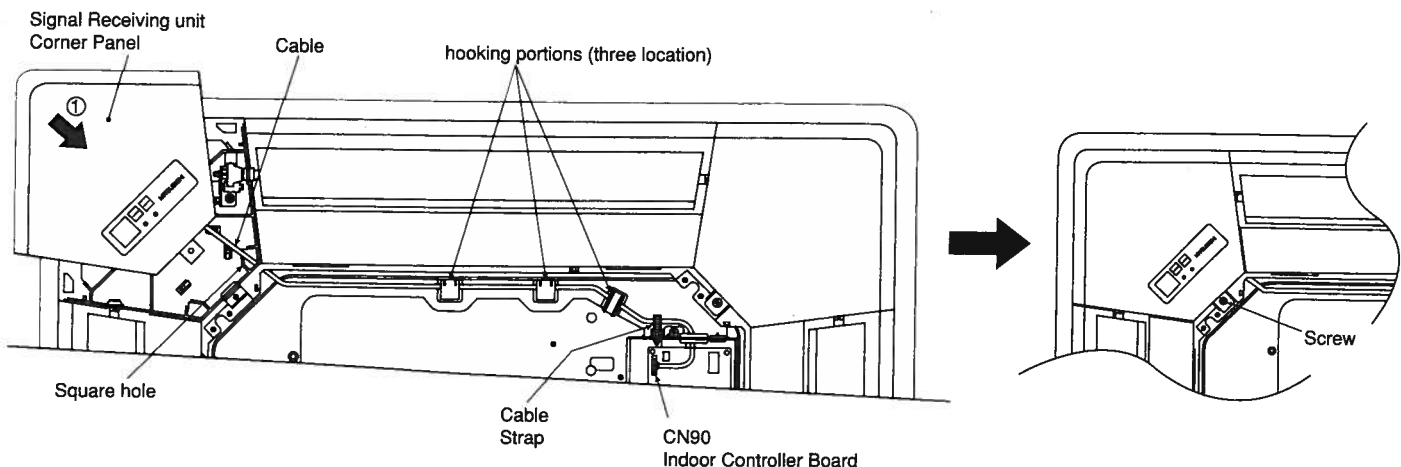
- Up to 4 patterns of pair number can be set. Match the pair number (setting of J41 and J42) of the indoor controller board and the pair number switch of wireless remote control as shown in the table below.
 - ※See the installation manual provided with the wireless remote control for details on setting method of the wireless remote control.

Setting Pattern	Pair number of Wireless remote controller	Cut point of Jumper wire on the indoor controller board
A	0	Don't cut the jumper wire.
B	1	Cut the jumper wire "J41".
C	2	Cut the jumper wire "J42".
D	One of procedures 3-9	Cut the jumper wire both "J41" and "J42".



2 Installation of signal receiving unit

- Pull out the cable of infrared receiver from the square hole in the corner of decoration panel, the portion of corner panel that was removed in step 1.
- Pass the cable through the three hooking portions of unit and electrical parts box as shown in the figure, adjust the length of cable so that the corner panel can be removed again, and then secure it using the cable strap.
- Slide the receiving unit in the ① direction as shown and fix it by the screw which is used for the corner panel removed.



MITSUBISHI

Package air-conditioner Optional parts Installatio

Always observe for safety

- Carefully read this section 「Always observe for safety」, and securely install the optional parts.
- Be sure to observe the cautions described here: They include critical contents for safety.
- The following indications show the classifications for danger, and possible consequences following incorrect handling.

⚠ WARNING	Incorrect handling could lead to death or serious injury.
⚠ CAUTION	Incorrect handling could lead to injury or damage to house and household articles.

- After installation, perform a test run and make sure that there is no abnormality, and ask your customer to keep this installation sheet with the instruction manual at all times. Also ask the customer to transfer these manuals to a new user if the user changes.

⚠ WARNING

<p>Ask the dealer or specialist for installation.</p> <ul style="list-style-type: none"> ● If installed incorrectly by user, water leak, electric shock, fire, etc. could result. 	<p>Carefully install the panel according to this installation sheet.</p> <ul style="list-style-type: none"> ● Incorrect installation could cause water leak, electric shock, fire, etc.
---	---

Before performing installation (moving) and electrical work

⚠ CAUTION

<p>Do not place polyethylene bags in reach of young children.</p> <ul style="list-style-type: none"> ● Putting them over the head will block breathing passages, which could result in suffocation. 	<p>If electrical work is necessary, use only specified electric wires adapted with current capacity.</p> <ul style="list-style-type: none"> ● Use of unsuitable wire could cause electric leak, overheating or fire.
<p>Securely apply heat-insulation to refrigerant pipe so that no condensation occurs.</p> <ul style="list-style-type: none"> ● If heat-insulation is inadequate, condensation could occur on the surface of pipes and dewdrops could accumulate on ceiling, floor or important goods. 	<p>Securely perform drain piping work according to the installation manual so that no condensation occurs.</p> <ul style="list-style-type: none"> ● If piping work is incorrect, water leak may occur and ceiling, furniture, etc may get wet.