

# OPTIONAL ELECTRIC HEAT KIT FOR MULTI-POSITION AIR HANDLER

USE WITH: PVFY-P-NAMU-E/E1; MVZ-A-AA4/7; SVZ-KP-NA; PVA-A-AA4/7

Job Name:

System Reference:

Date:

## GENERAL FEATURES

- 208/240V Electric Heat Kits
- Mounts directly to the air outlet connection of the Multi-position Air Handler



## CAUTION

- Do not power the Electric Heat Kit from the outdoor unit.
- A separate power supply must be provided.
- Air handler must be set on non-combustible floor when using electric heat in the downflow configuration.
- Maximum external static pressure of 0.60 in WG for all installations with electric heaters.  
For more details, see note on best design practice on page 4.

## ACCESSORIES

|   |   |
|---|---|
| Separate Power Kit for MVZ and PVA models<br>This kit allows the installer to connect power from a source other than the outdoor unit to the air handler.<br>(S2 & S3 still must connect from outdoor unit for communication) | <input type="checkbox"/> SPTB1          |
| Auxiliary Heat Lockout for MVZ, SVZ and PVA models<br>This option prevents the electric heat kit from operating above a set outside temperature.  | <input type="checkbox"/> ETC-211000-MIT |
| Replacement Temp Probe for ETC-211000-MIT   | <input type="checkbox"/> 1309007-044    |

# AVAILABLE COMBINATIONS: ELECTRIC HEAT KIT

(See note on best design practice on page 4)



**NOTE**

No other combination approved.

**MODEL PER OUTDOOR UNIT**

|                    |                 | Electric Heat Kit |               |               |            |            |            |               |               |               |            |            |            |               |               |                |                |
|--------------------|-----------------|-------------------|---------------|---------------|------------|------------|------------|---------------|---------------|---------------|------------|------------|------------|---------------|---------------|----------------|----------------|
|                    |                 | EH03-MPA-S(B)     | EH05-MPA-S(B) | EH08-MPA-S(B) | EH03-SVZ-S | EH05-SVZ-S | EH08-SVZ-S | EH03-MPA-M(B) | EH05-MPA-M(B) | EH08-MPA-M(B) | EH05-SVZ-M | EH08-SVZ-M | EH10-SVZ-M | EH10-MPA-M(B) | EH10-MPA-L(B) | EH15-MPAS-L(B) | EH17-MPAS-L(B) |
| Stages (1st + 2nd) |                 | 3                 | 5             | 4+4           | 3          | 5          | 4+4        | 3             | 5             | 4+4           | 5          | 4+4        | 5+5        | 5+5           | 5+5           | 7.5+7.5        | 8.75+8.75      |
| Air Handler Model  | PVfy-P12NAMU-E  | ○                 | ○             |               |            |            |            |               |               |               |            |            |            |               |               |                |                |
|                    | PVfy-P12NAMU-E1 | ○                 | ○             |               |            |            |            |               |               |               |            |            |            |               |               |                |                |
|                    | PVfy-P18NAMU-E  | ○                 | ○             | ○             |            |            |            |               |               |               |            |            |            |               |               |                |                |
|                    | PVfy-P18NAMU-E1 | ○                 | ○             | ○             |            |            |            |               |               |               |            |            |            |               |               |                |                |
|                    | PVfy-P24NAMU-E  | ○                 | ○             | ○             |            |            |            |               |               |               |            |            |            |               |               |                |                |
|                    | PVfy-P24NAMU-E1 | ○                 | ○             | ○             |            |            |            |               |               |               |            |            |            |               |               |                |                |
|                    | PVfy-P30NAMU-E  |                   |               |               |            |            |            | ○             | ○             | ○             |            |            |            | ○             |               |                |                |
|                    | PVfy-P30NAMU-E1 |                   |               |               |            |            |            |               |               |               |            |            |            | ○             |               |                |                |
|                    | PVfy-P36NAMU-E  |                   |               |               |            |            |            |               |               | ○             |            |            |            | ○             |               |                |                |
|                    | PVfy-P36NAMU-E1 |                   |               |               |            |            |            |               |               |               |            |            |            | ○             |               |                |                |
|                    | PVfy-P48NAMU-E  |                   |               |               |            |            |            |               |               |               |            |            |            |               | ○             | ○              | ○              |
|                    | PVfy-P48NAMU-E1 |                   |               |               |            |            |            |               |               |               |            |            |            |               | ○             | ○              | ○              |
|                    | PVfy-P54NAMU-E  |                   |               |               |            |            |            |               |               |               |            |            |            |               | ○             | ○              | ○              |
|                    | PVfy-P54NAMU-E1 |                   |               |               |            |            |            |               |               |               |            |            |            |               | ○             | ○              | ○              |
|                    | MVZ-A12AA4      | ○                 | ○             |               |            |            |            |               |               |               |            |            |            |               |               |                |                |
|                    | MVZ-A12AA7      | ○                 | ○             |               |            |            |            |               |               |               |            |            |            |               |               |                |                |
|                    | MVZ-A18AA4      | ○                 | ○             | ○             |            |            |            |               |               |               |            |            |            |               |               |                |                |
|                    | MVZ-A18AA7      | ○                 | ○             | ○             |            |            |            |               |               |               |            |            |            |               |               |                |                |
|                    | MVZ-A24AA4      | ○                 | ○             | ○             |            |            |            |               |               |               |            |            |            |               |               |                |                |
|                    | MVZ-A24AA7      | ○                 | ○             | ○             |            |            |            |               |               |               |            |            |            |               |               |                |                |
|                    | MVZ-A30AA4      |                   |               |               |            |            |            | ○             | ○             | ○             |            |            |            | ○             |               |                |                |
|                    | MVZ-A30AA7      |                   |               |               |            |            |            |               |               |               |            |            |            | ○             |               |                |                |
|                    | MVZ-A36AA4      |                   |               |               |            |            |            |               |               | ○             |            |            |            | ○             |               |                |                |
|                    | MVZ-A36AA7      |                   |               |               |            |            |            |               |               |               |            |            |            | ○             |               |                |                |
|                    | SVZ-KP12NA      |                   |               |               | ○          | ○          |            |               |               |               |            |            |            |               |               |                |                |
|                    | SVZ-KP18NA      |                   |               |               | ○          | ○          | ○          |               |               |               |            |            |            |               |               |                |                |
|                    | SVZ-KP24NA      |                   |               |               | ○          | ○          | ○          |               |               |               |            |            |            |               |               |                |                |
|                    | SVZ-KP30NA      |                   |               |               |            |            |            |               |               |               |            |            |            |               |               |                |                |
|                    | SVZ-KP36NA      |                   |               |               |            |            |            |               |               |               | ○          | ○          | ○          |               |               |                |                |
|                    | PVA-A12AA7      | ○                 | ○             |               |            |            |            |               |               |               |            |            |            |               |               |                |                |
| PVA-A18AA7         | ○               | ○                 | ○             |               |            |            |            |               |               |               |            |            |            |               |               |                |                |
| PVA-A24AA7         |                 |                   |               |               |            |            | ○          | ○             | ○             |               |            |            | ○          |               |               |                |                |
| PVA-A30AA4         |                 |                   |               |               |            |            | ○          | ○             | ○             |               |            |            | ○          |               |               |                |                |
| PVA-A30AA7         |                 |                   |               |               |            |            |            |               |               |               |            |            | ○          |               |               |                |                |
| PVA-A36AA4         |                 |                   |               |               |            |            |            |               |               |               |            |            |            | ○             | ○             |                |                |
| PVA-A36AA7         |                 |                   |               |               |            |            |            |               |               |               |            |            |            | ○             | ○             |                |                |
| PVA-A42AA4         |                 |                   |               |               |            |            |            |               |               |               |            |            |            | ○             | ○             | ○              |                |
| PVA-A42AA7         |                 |                   |               |               |            |            |            |               |               |               |            |            |            | ○             | ○             | ○              |                |

# ELECTRICAL SPECIFICATIONS: ELECTRIC HEAT KIT

(See note on best design practice on page 4)

| Electric Heat Part Number | Heater kW |           | Heater Amps <sup>1</sup> | MCA <sup>1</sup> | MOP <sup>1</sup> | Htr & Mtr Amps <sup>2</sup> | MCA <sup>2</sup> | MOP <sup>2</sup> | Factory Installed Circuit Breaker |
|---------------------------|-----------|-----------|--------------------------|------------------|------------------|-----------------------------|------------------|------------------|-----------------------------------|
|                           | 208V/240V |           | 208V/240V                | 208V/240V        | 208V/240V        | 208V/240V                   | 208V/240V        | 208V/240V        |                                   |
| EH03-SVZ-S                | 2.3/3.0   |           | 10.8/12.5                | 13.5/15.6        | 15/20            | 13.2/14.9                   | 16.5/18.6        | 20/20            | 20                                |
| EH05-SVZ-S                | 3.8/5.0   |           | 18.1/20.8                | 22.6/26          | 25/30            | 20.5/23.2                   | 25.6/29          | 30/30            | 30                                |
| EH08-SVZ-S                | 6.0/8.0   |           | 28.9/33.3                | 36.1/41.7        | 40/45            | 31.3/35.7                   | 39.1/44.7        | 40/45            | 45                                |
| EH05-SVZ-M                | 3.8/5.0   |           | 18.1/20.8                | 22.6/26          | 25/30            | 21.4/24.1                   | 26.7/30.2        | 30/30            | 30                                |
| EH08-SVZ-M                | 6.0/8.0   |           | 28.9/33.3                | 36.1/41.7        | 40/45            | 32.2/36.6                   | 40.2/45.8        | 45/50            | 50                                |
| EH10-SVZ-M                | 7.5/10    |           | 36.1/41.7                | 45.1/52.1        | 50/60            | 39.4/45                     | 49.3/56.2        | 50/60            | 60                                |
| EH03-MPA-S(B)             | 2.3/3.0   |           | 10.8/12.5                | 13.5/15.6        | 15/20            | 13.2/14.9                   | 16.5/18.6        | 20/20            | 20                                |
| EH05-MPA-S(B)             | 3.8/5.0   |           | 18.1/20.8                | 22.6/26          | 25/30            | 20.5/23.2                   | 25.6/29          | 30/30            | 30                                |
| EH08-MPA-S(B)             | 6.0/8.0   |           | 28.9/33.3                | 36.1/41.7        | 40/45            | 31.3/35.7                   | 39.1/44.7        | 40/45            | 45                                |
| EH03-MPA-M(B)             | 2.3/3.0   |           | 10.8/12.5                | 13.5/15.6        | 15/20            | 14.1/15.8                   | 17.7/19.8        | 20/20            | 20                                |
| EH05-MPA-M(B)             | 3.8/5.0   |           | 18.1/20.8                | 22.6/26          | 25/30            | 21.4/24.1                   | 26.7/30.2        | 30/30            | 30                                |
| EH08-MPA-M(B)             | 6.0/8.0   |           | 28.9/33.3                | 36.1/41.7        | 40/45            | 32.2/36.6                   | 40.2/45.8        | 45/50            | 50                                |
| EH10-MPA-M(B)             | 7.5/10    |           | 36.1/41.7                | 45.1/52.1        | 50/60            | 39.4/45                     | 49.3/56.2        | 50/60            | 60                                |
| EH10-MPA-L(B)             | 7.5/10    |           | 36.1/41.7                | 45.1/52.1        | 50/60            | 40.6/46.2                   | 50.8/57.7        | 60/60            | 60                                |
| EH15-MPAS-L(B)            | 11.3/15   | Circuit 1 | 27.1/31.2                | 33.9/39.1        | 35/40            | 31.6/35.8                   | 39.5/44.7        | 40/45            | 45                                |
|                           |           | Circuit 2 | 27.1/31.2                | 33.9/39.1        | 35/40            | 27.1/31.2                   | 33.9/39.1        | 35/40            | 40                                |
| EH17-MPAS-L(B)            | 13.2/17.5 | Circuit 1 | 31.6/36.5                | 39.5/45.6        | 40/50            | 36.1/41                     | 45.1/51.2        | 45/60            | 60                                |
|                           |           | Circuit 2 | 31.6/36.5                | 39.5/45.6        | 40/50            | 31.6/36.5                   | 39.5/45.6        | 40/50            | 50                                |

<sup>1</sup> Heater amps; no motor

<sup>2</sup> Heater and motor amps (connect air handler power supply to largest circuit breaker)

60Hz

Motor amps are placed on circuit 1 when required

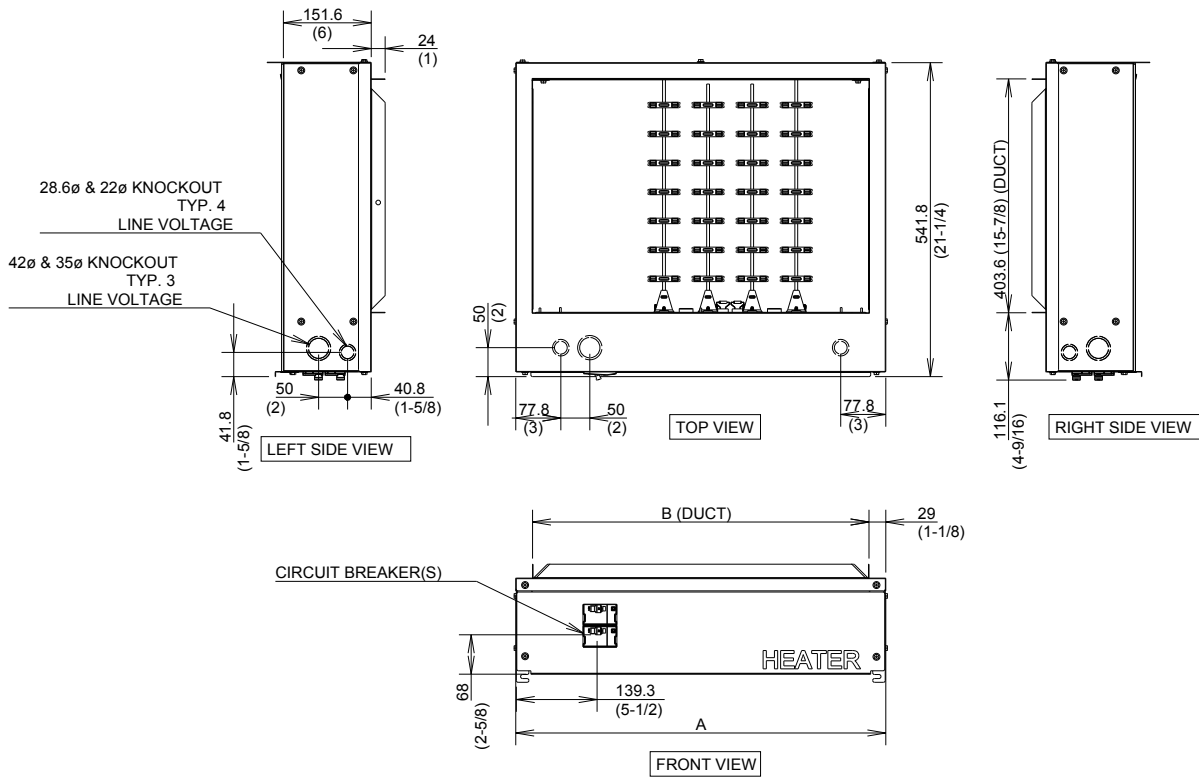
Unit tested at 0.60 in WG external static pressure

Minimum installation clearance to combustible material 0"

Maximum outlet air temperature 200° F

# DIMENSIONS: ELECTRIC HEAT KIT

Units: mm (in.)



| MODEL          | A    | B          |
|----------------|------|------------|
| EH03-MPA-S(B)  |      |            |
| EH05-MPA-S(B)  |      |            |
| EH08-MPA-S(B)  | 433  | 376        |
| EH03-SVZ-S     | (17) | (14-13/16) |
| EH05-SVZ-S     |      |            |
| EH08-SVZ-S     |      |            |
| EH03-MPA-M(B)  |      |            |
| EH05-MPA-M(B)  |      |            |
| EH08-MPA-M(B)  | 534  | 477        |
| EH10-MPA-M(B)  | (21) | (18-13/16) |
| EH05-SVZ-M     |      |            |
| EH08-SVZ-M     |      |            |
| EH10-SVZ-M     |      |            |
| EH10-MPA-L(B)  |      |            |
| EH15-MPAS-L(B) | 635  | 579        |
| EH17-MPAS-L(B) | (25) | (22-13/16) |



### NOTE

#### BEST DESIGN PRACTICE TO ASSURE ADEQUATE AIRFLOW REQUIREMENTS

During electric heater operation the fan is defaulted to high speed to help assure adequate airflow. To maintain adequate airflow required for electric heater operation, it is recommended that an additional 0.20 WG static pressure drop be added to system ductwork design when using the electric heat kit.

#### Examples:

When air handler is set for 0.50 WG static, the maximum external static pressure for ductwork should not exceed 0.30 WG.

When air handler is set for 0.80 WG static, the maximum external static pressure for ductwork should not exceed 0.60 WG, etc.