

# Installation Instructions for FBH Series filter box

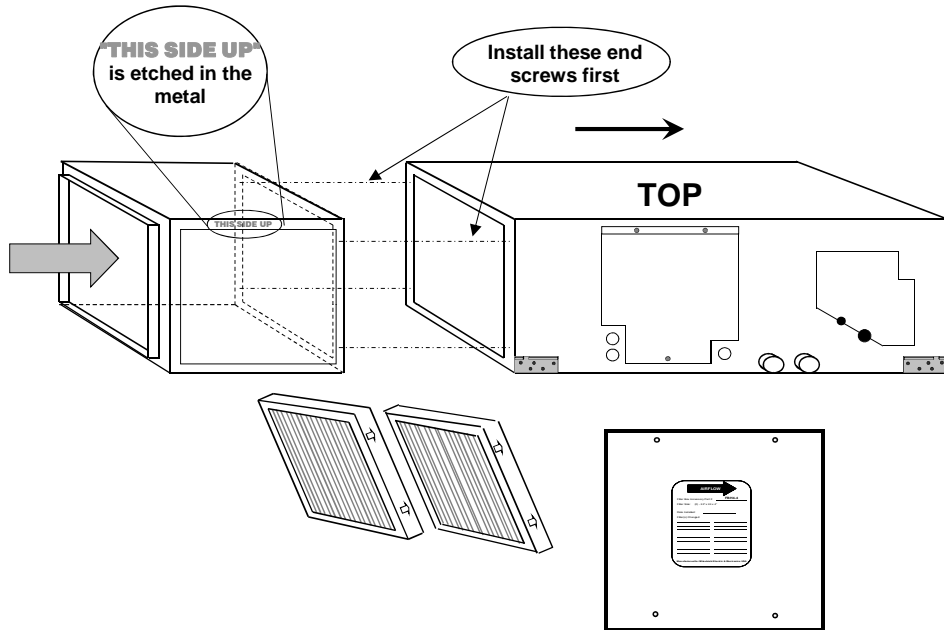
Filter Box Model	Used with CITY MULTI Indoor Unit	Filter Box Dimensions			Filter(s) Included
		Height	Width	Depth	
FBH2-1	PEFY-P15, P18, P24NMHU-E2	15"	26-3/4"	15-3/4"	(1) - 20" x 24" x 2" MERV 13
FBH2-2	PEFY-P27, P30NMHU-E2	15"	38"	15-3/4"	(1) - 20"x16"x2", (1) - 20"x20"x2", MERV 13
FBH2-3	PEFY-P36, P48, P54NMHU-E2	15"	44-1/2"	15-3/4"	(2) - 20" x 20" x 2" MERV 13

**For ease of installation, the filter box should be attached before the indoor unit is mounted.**

1. Remove the duct flange on the return side of the indoor unit. Discard the duct flange and screws.

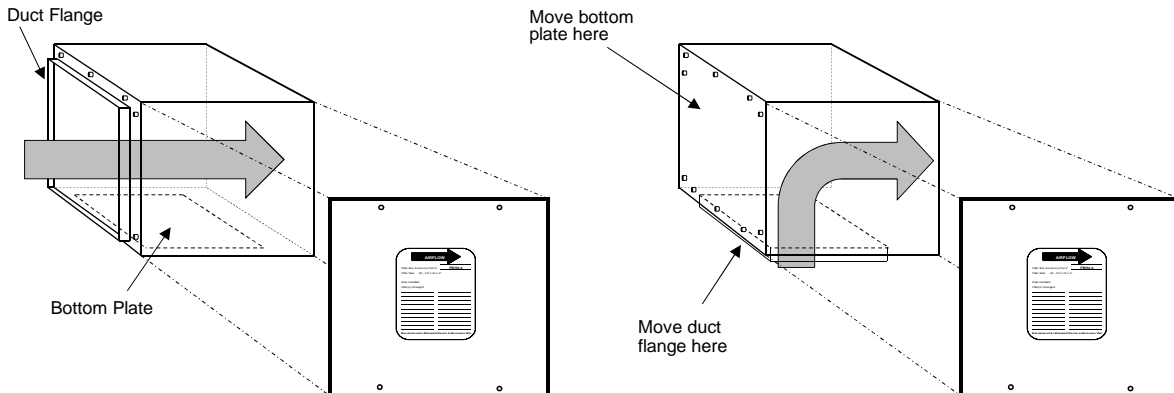
**Following the diagram below:**

2. Open the filter box door and remove the filter(s)
3. Position the indoor unit and filter box as show below matching the top of the filter box to the top of the indoor unit.
4. Using the screws provided attach the filter box to the indoor unit. **Inserting the end screws first will line up the rest of the holes.**
5. Once the end screws are in place insert and tighten the remaining screws.
6. Reinstall the filter(s) making sure the airflow direction is correct.
7. Reinstall the filter box door and mark the date of installation on the label.
8. The indoor unit is now ready to be mounted



## Converting the filter box from rear (as supplied) to bottom return

1. Remove rear duct flanges and bottom plate.
2. Install duct flanges on the bottom of the filter box.
3. Install the bottom plate on the rear of the filter box.



Manufactured for Mitsubishi Electric US, Inc

November 2013

Specifications are subject to change without notice.

© 2013 Mitsubishi Electric US, Inc.