

Job Name:

System Reference:

Date:

**Specification (Product Description)**

- Base Unit:
  - Two Isolated RS 485 Ports
  - Two 10/100MB
  - USB Backup & Restore
  - Wireless Connectivity
  - Compatible with DC-600E modules
  - Runs Niagara 4.1 and later
  - Batteryless operation
  - Expandable with up to four option modules
  - Real-time Clock
- Platform:
  - Texas Instruments® AM3352 1000MHz ARM® Cortex™-A8
  - 1 GB DDR3 SDRAM
  - USB backup and restore
- Communications:
  - 2 Ethernet Ports: 10/100MB
  - 2 Isolated RS-485 Port
  - Supports IEEE 802.11a/b/g/n networks
  - Configurable radio (Off, WAP, or Client)
  - Mobile phone and Tablet Accessible
  - Optional LON FTT10 & RS232 expansion
  - Optional Antenna with SMA Connector
  - Support WPA-PSK, WPA2-PSK security protocols
  - Secure boot
- Operating System:
  - Runs Niagara AX: 3.8u1 and later
  - Runs Niagara 4: 4.1 or later
- Chassis:
  - Construction: Plastic, din rail or screw mount chassis, plastic cover
    - Compatible with DIN 43880 enclosures
  - Cooling: Internal air convection
- Environmental Specifications:
  - Operational Temperature: -4 to 140°F (-20 to 60°C)
  - Storage Temperature Range: -40 to 185°F (-40 to 85°C)
  - Humidity Rating: 5% to 95% RH, non-condensing
  - Shipping & vibration: ASTM D4169, Assurance Level II
    - MTTF: 10 years+
- Rating Approvals:
  - UL 916
  - CE EN 61326-1
  - FCC Part 15 Subpart B, Class B
  - FCC Part 15 Subpart C
  - C-UL listed to Canadian Standards Association (CSA)C22.2 No. 205-M1983 "Signal Equipment"
  - 1999/5/EC R&TTE Directive
  - CCC
  - SRRC
  - RSS
  - RoHS
  - UL 916
  - C-tick (Australia)
- Dimensions: 7.05 W x 4.33 H x 2.41D In.

**GENERAL INFORMATION**

- Compact, embedded controller/server platform
- Combines integrated control, supervision, data logging, alarming, scheduling and network management functions with Internet connectivity and web serving capabilities in a small, compact platform
- Makes it possible to control and manage external devices over the Internet and present real-time information to users in web-based graphical views

**APPLICATION**

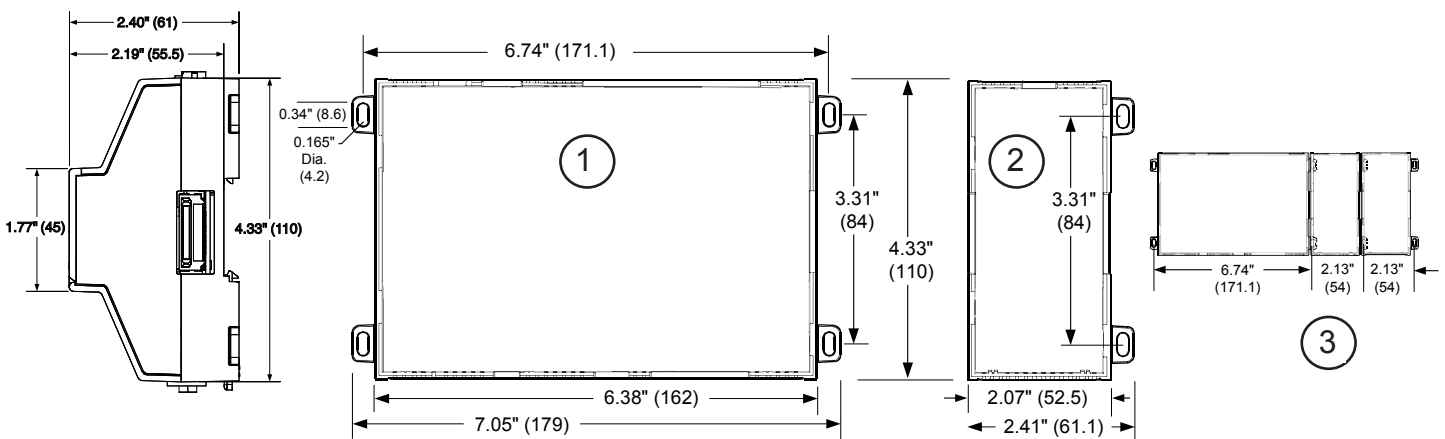
- Ideal for smaller facilities, remote sites, or distributing control and monitoring throughout large facilities. Optional I/O modules can be plugged in for applications where local control is required.
- Supports a wide range of field busses for connection to remote I/O and stand-alone controllers. Ideal for use in small facilities to provide a complete integration system.
- Serves data and rich graphical displays to a standard web browser via an Ethernet LAN or remotely over the Internet or dial-up modem.
  - In larger facilities, multi-building applications and large-scale control system integrations, Diamond Controller Server™ software can be used to aggregate information (real-time data, history, alarms, etc.) from large numbers of DC-8000 into a single unified application.
- Manage global control functions, support data passing over multiple networks, connect to enterprise level software applications, and host multiple, simultaneous client workstations connected over the local network, the Internet, or dial-up modem

# OPTIONS AND DIMENSIONS: DC-8000 DIAMOND CONTROLLER™

## OPTIONS

Part Number	Description
JENE-PC-LON	Single Port LON FTT-10A module
JENE-PC-232	Single Port RS-232 module
JENE-PC-485	Dual Port RS-485 module
JENE-PC-WPM	100-240VAC, 50/60 Hz. Wall Adapter, includes US, EU, UK, and AU style plugs.
JENE-PC-R-16	16 Point I/O module
JENE-PC-R-34	34 Point I/O module

## DIMENSIONS

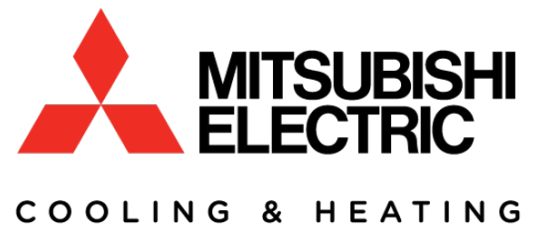


*Compatible with (DIN43880) enclosures*

*Suitable for mounting to a panel or to an EN50022 standard 35mm rail*

## MOUNTING INSTRUCTIONS

- ① DC-8000 Controller. Allow at least 1.5" (38 mm) clearance around all sides
- ② Expansion module. Up to four (4) may be used. See "Expansion Modules and I/O Modules Configurations"
- ③ Distances between center of tabs from one unit to another unit



1340 Satellite Boulevard, Suwanee, GA 30024  
Toll Free: 800-433-4822 www.mehvac.com

FORM# DC-8000 DIAMOND CONTROLLER™ - 201805

Specifications are subject to change without notice.

© 2018 Mitsubishi Electric Trane HVAC US LLC